

Unit Information

2 HP – 1500 watt – 24,000 Max RPM

48 oz. Stackable
Break Resistant Container

Limited 2 Year Warranty

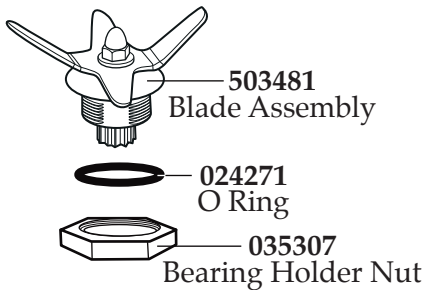
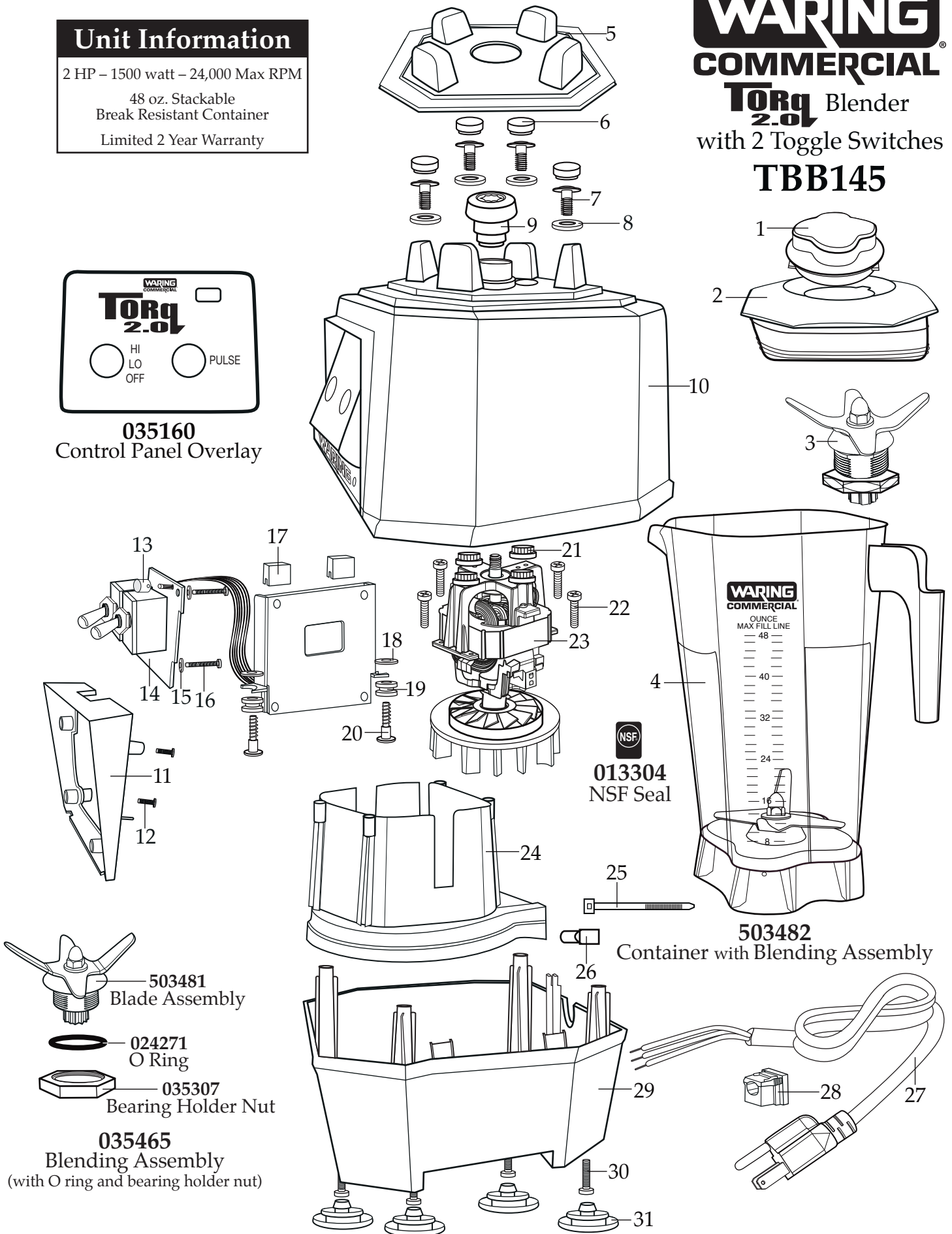


035160
Control Panel Overlay

WARING COMMERCIAL

Torq 2.0 Blender with 2 Toggle Switches

TBB145



035465
Blending Assembly
(with O ring and bearing holder nut)

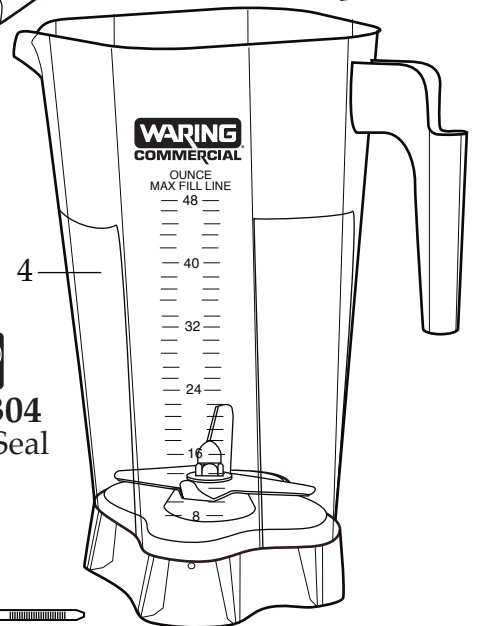


Illustration #	Part #	Description
1	028769-E	Eastman Jar Lid Cover
2	035238-V	Vinyl Jar Lid
3	035465	Blending Assembly (with O ring and bearing holder nut)
4	035239	48 oz. Stackable Container ONLY
5	035885 035091	Jar Pad (<i>changed after 7/14/2018</i>) Jar Pad (use 035885)
6	035085	Hole Plug (4 required)
7	034275	Sems (4 required)
8	034273	B Gasket (4 required)
9	035251	Drive Coupling
10	503460-145	Top Housing Assembly
11	035083	Control Housing Back Bezel
12	035090	Screw (2 required)
13	035253	LED Lens
14	035160	TBB145 Control Panel Assembly
15	035255	Washer (2 required)
16	035089	Screw (2 required)
17	034900	PCB Cushion (2 required)
18	013604	Washer (2 required)
19	034904	Rubber Grommet (2 required)
20	034902	Sems (2 required)
21	034272	A Gasket (4 required)
22	034274	Screw (4 required)
23	034276	ECM Motor / KB500
24	503483	Motor Housing with Dampeners
25	013731	Cable Ties (6 required <i>on units after 8/16/2016</i>) - (2 required)
26	012409 019123	Small Crimp Connectors (2 required <i>on units after 8/16/2016</i>) - (4 required) Large Crimp Connector (2 required <i>on units after 8/16/2016</i>) - (1 required)
27	035124	Cordset
28	033619	Strain Relief

Catalog/Model

TBB145

Waring Factory Service Center
314/Ella T. Grasso Ave.
Torrington, CT 06790
Tele. 1-800-269-6640

Waring
COMMERCIAL[®]
Fax 860-496-9017
www.waringcommercialproducts.com

Illustration #	Part #	Description
29	035079 503480	Bottom Housing ONLY Bottom Housing Assembly with Feet
30	034274	Screw (4 required)
31	035088	Foot (4 required)

